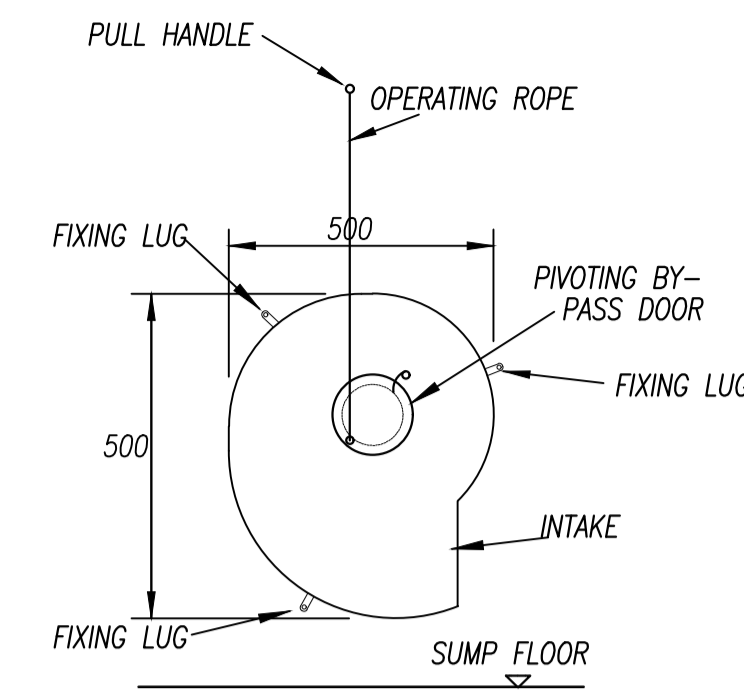


NOTES:

- DO NOT SCALE. USE FIGURED DIMENSIONS ONLY.
- THIS DRAWING IS TO BE READ IN CONJUNCTION WITH ALL OTHER RELEVANT ARCHITECTURAL AND ENGINEERING DRAWINGS.



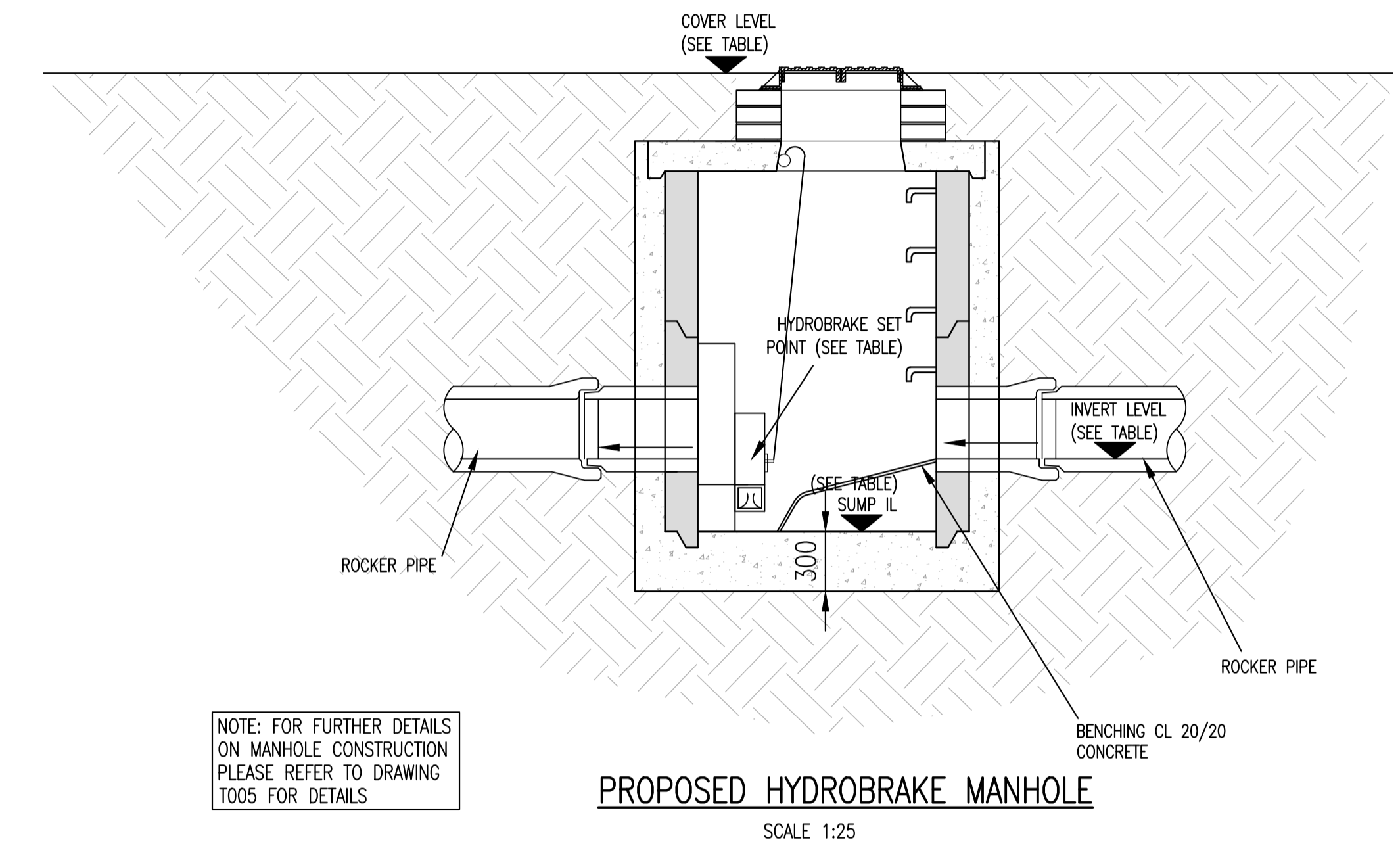
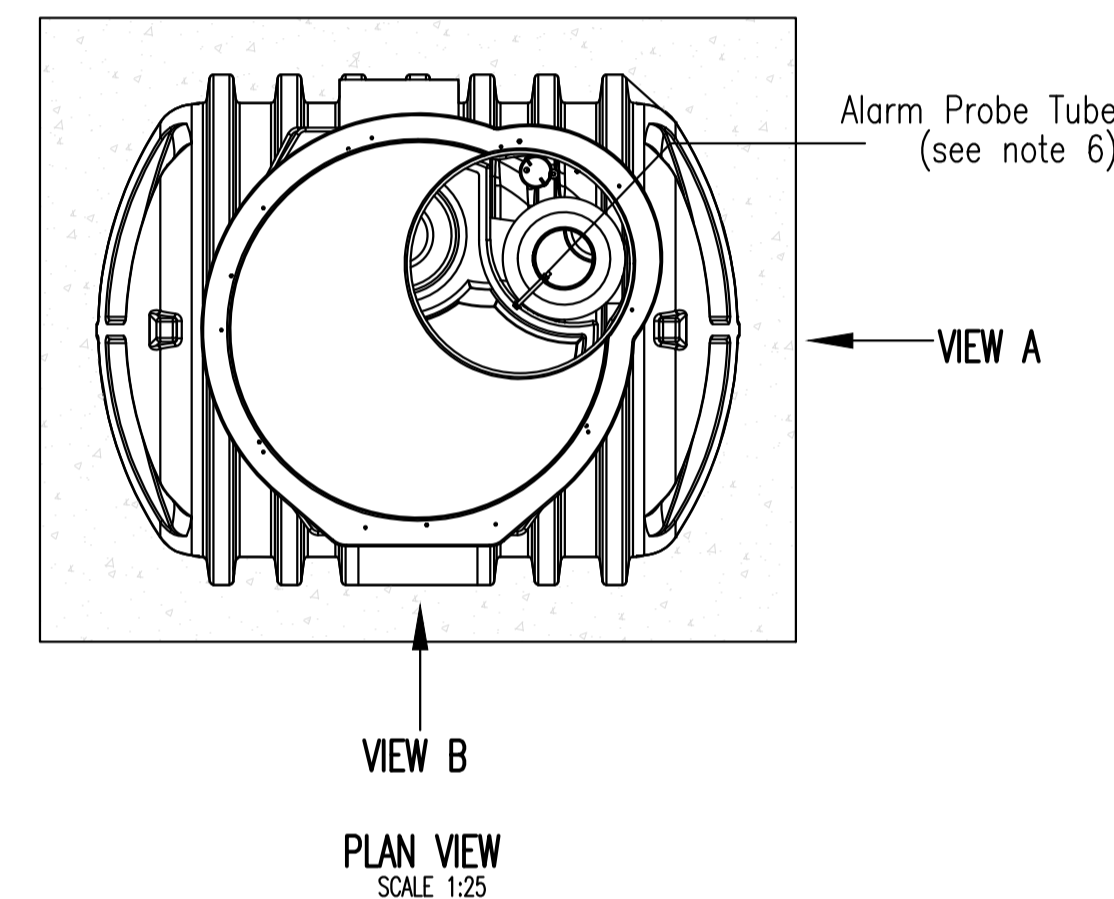
HYDRO BRAKE DETAIL
N.T.S.

HB MANHOLE	COVER LEVEL	INVERT LEVEL	SUMP INVERT LEVEL	HB SET POINT (l/s)
A	36.850	35.098	34.698	8.4
B	39.420	37.496	37.096	3.4
C	38.000	36.503	36.103	2.5

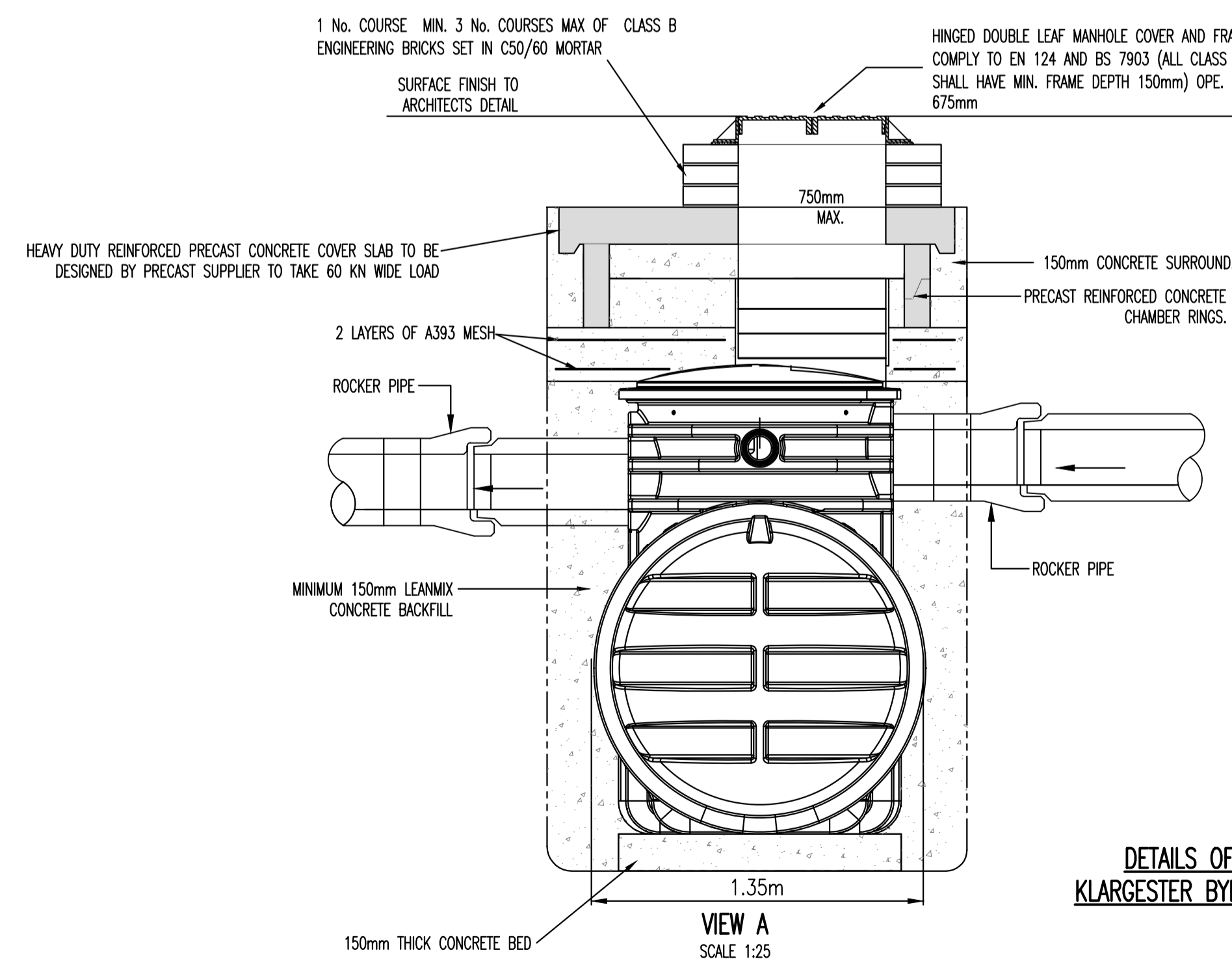
	Outlet Size 'B'	Inlet Size 'A'	Fall across unit	Approx Empty Weight (kgs)	Dim L (mm)	Nominal Flow	Unit Ref No
PETROL INTERCEPTOR 'A'	Ø375 mm	Ø375 mm	100	180	1700	8.4L/s	NSBP003
PETROL INTERCEPTOR 'B'	Ø225 mm	Ø225 mm	100	180	1700	2.5L/s	NSBP003

Notes:-

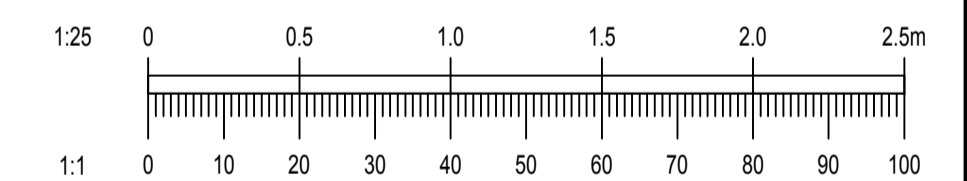
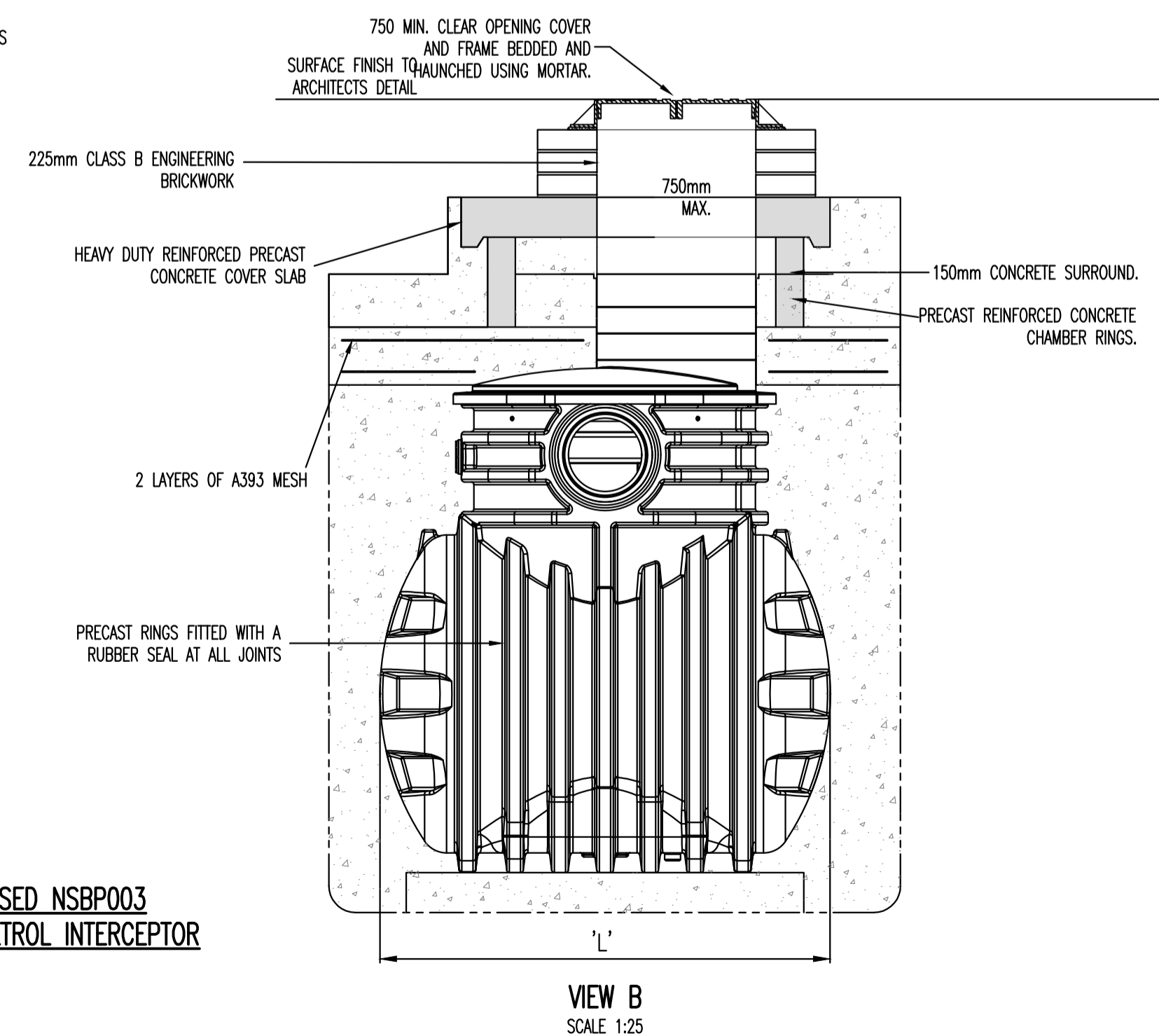
- Inlet/Outlet pipes are plain pipe standard EN 858 states minimum connection sizes, units ordered with different sized connections are not fully compliant with the standard.
- Extension necks for deeper inverts can be provided. These can be cut in 200 mm sections. Max 2.0m Invert recommended. Please ask our sales department for further details.
- All units require appropriate cover and frame to suit applied loadings.
- This drawing should be used for dimensional information only. It is essential that this drawing is read in conjunction with the installation guidelines from the supplier. 76 mm tube (internal) is supplied to house an oil alarm probe.
- Wet site conditions - Concrete Backfill Dry site conditions - Pea Shingle Backfill
- A Ø 76 mm tube (internal) is supplied to house an oil alarm probe.



NOTE: FOR FURTHER DETAILS ON MANHOLE CONSTRUCTION PLEASE REFER TO DRAWING T005 FOR DETAILS



DETAILS OF PROPOSED NSBP003 KLARGESTER BYPASS PETROL INTERCEPTOR



A	07/11/19	FINAL SHD SUBMISSION	PW	AK
REV.	DATE	AMENDMENT	DRN	APPD

STATUS **FOR PLANNING NOT FOR CONSTRUCTION**

Waterman Moylan
Engineering Consultants
BLOCK 8, EASTPOINT BUSINESS PARK, ALFIE BYRNE ROAD, DUBLIN D03 H3F4 IRELAND. Tel: (01) 664 8900 Email: info@waterman-moylan.ie www.waterman-moylan.ie

CLIENT	BALLYMORE PROPERTY DEVELOPMENTS LTD
ARCHITECT	REDDY ARCHITECTURE
PROJECT	RESIDENTIAL DEVELOPMENT, SEAMOUNT, MALAHIDE, CO DUBLIN
TITLE	HYDROBRAKE & PETROL INTERCEPTOR DETAILS

DRAWN	DESIGNED	APPROVED	DATE
PW	BW	IW	JUNE '19
SCALE	JOB NO.	DRG. NO.	REVISION
AS SHOWN	18-001	P327	A