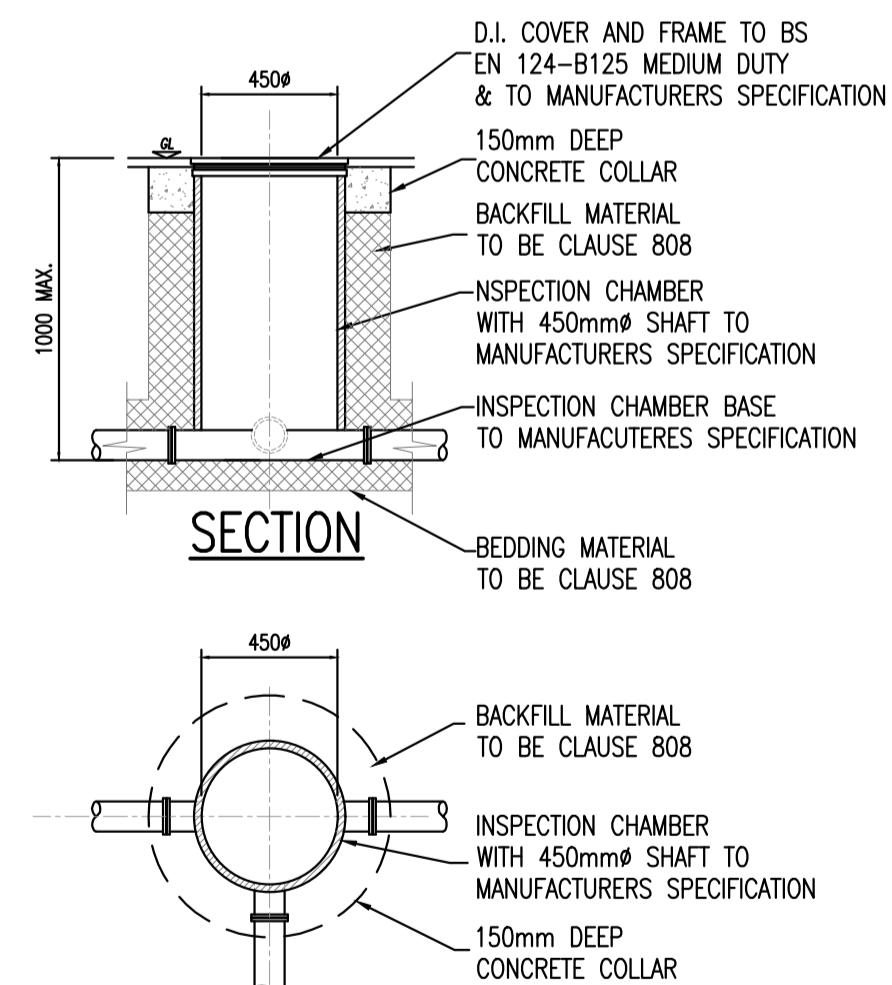


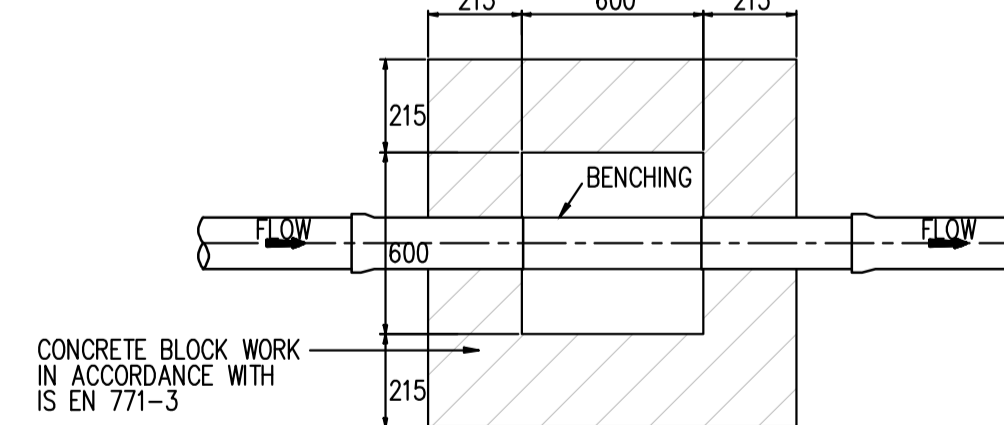
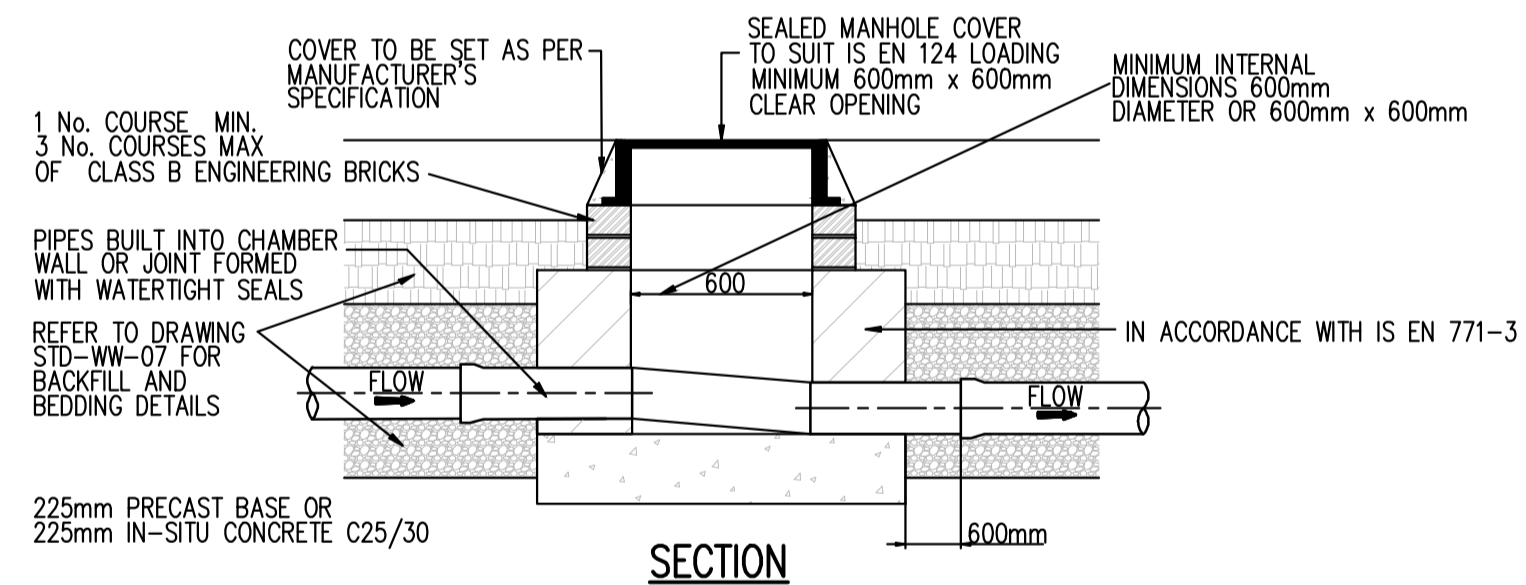
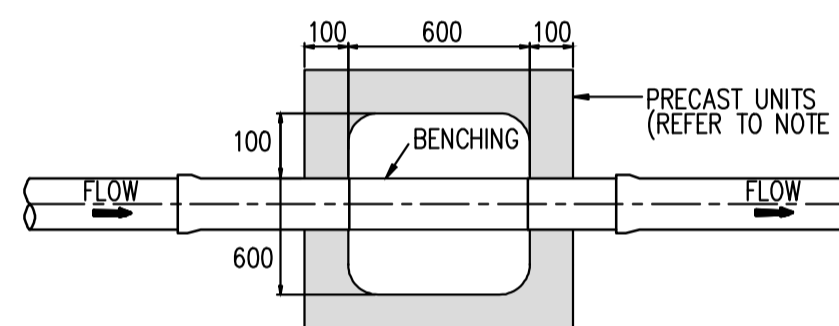
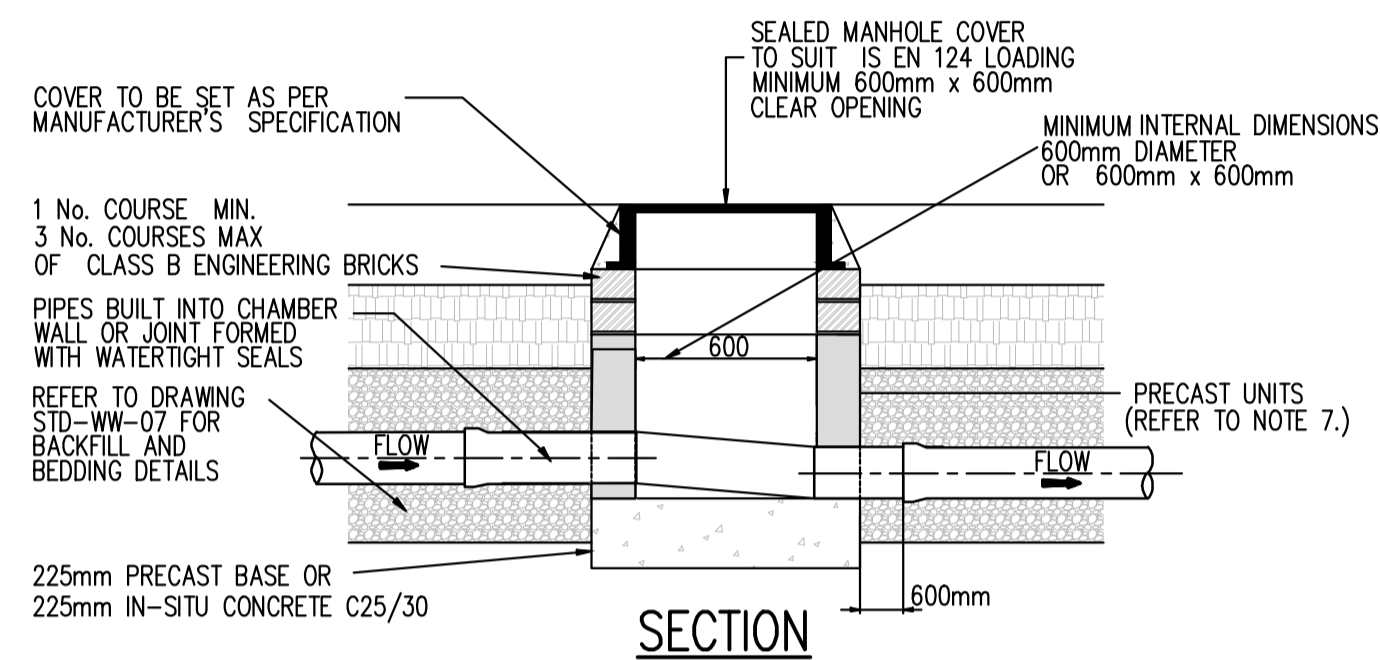
PIPE SIZE (mm)	GRADIENT
100	1 : 60
150 TO 225	1 : 150 MINIMUM

DRAIN AND SERVICE CONNECTION PIPEWORK



CIRCULAR INSPECTION CHAMBER WHERE INVERT IS 1m OR LESS BUILDING REGULATIONS TGD SECTION H TABLE 9

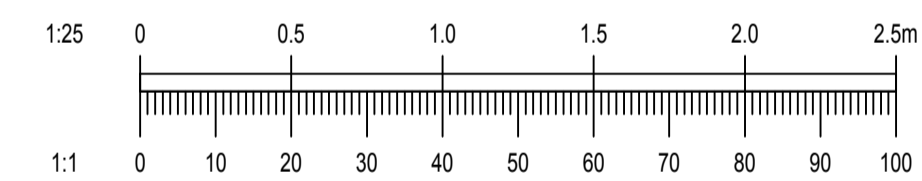
SCALE 1:25



PRIVATE SIDE INSPECTION CHAMBER

NOTES:

- ALL DIMENSIONS IN MILLIMETRES (mm) UNLESS NOTED OTHERWISE.
- AN INSPECTION CHAMBER SHOULD BE LOCATED AT OR WITHIN 1m OF THE PROPERTY BOUNDARY AT THE UPSTREAM END OF EAC SERVICE CONNECTION ON THE PRIVATE SIDE OF THE CURTILAGE, IF PRACTICABLE.
- ANY PIPE AND ASSOCIATED ACCESS UPSTREAM OF THE POINT OF CONNECTION TO A PUBLIC SEWER IS A PRIVATE DRAIN AND SHOULD BE CONSTRUCTED IN ACCORDANCE WITH THE BUILDING REGULATIONS.
- ACCESS POINTS SHOULD BE LOCATED SO THAT THEY ARE ACCESSIBLE AND APPARENT TO THE MAINTAINER AT ALL TIMES FOR USE. THEY SHOULD AVOID REAR GARDENS OR ENCLOSED LOCATIONS AND THEY SHOULD NEVER BE OVERLAIN WITH SURFACE DRESSING, TOPSOIL, ETC.
- COVERS AND FRAMES SHALL BE SUITABLE FOR ROAD AND TRAFFIC CONDITIONS SUBJECT TO APPROVAL FROM IRISH WATER.
- 200mm ALL AROUND, 100mm DEEP CONCRETE PLINTH WITH PROTECTIVE STAINLESS STEEL METAL BAND AROUND COVERS IN GREEN AREAS.
- PROPRIETARY PREFABRICATED CHAMBER UNITS MAY ALSO BE USED, SUBJECT TO APPROVAL FROM IRISH WATER.
- CONCRETE CHAMBERS SHALL BE SURROUNDED BY A MINIMUM OF 150mm COMPACTED CLAUSE 808 MATERIAL AS PER STD-WW-07.
- ALL CHAMBERS TO BE CHECKED FOR UPLIFT BY THE DEVELOPER BASED ON GROUND CONDITIONS WITHIN THE SITE. SHOULD ANTI FLOATATION MEASURES BE REQUIRED THEY SHALL BE SUBJECT TO APPROVAL FROM IRISH WATER.



A	07/11/19	FINAL SHD SUBMISSION	PW	AK
REV.	DATE	AMENDMENT	DRN	APPD

STATUS **FOR PLANNING NOT FOR CONSTRUCTION**

Waterman Moylan
Engineering Consultants

BLOCK 8, EASTPOINT BUSINESS PARK, ALFIE BYRNE ROAD, DUBLIN D03 H3F4 IRELAND. Tel: (01) 664 8900
Email: info@waterman-moylan.ie www.waterman-moylan.ie

CLIENT	BALLYMORE PROPERTY DEVELOPMENTS LTD
ARCHITECT	REDDY ARCHITECTURE
PROJECT	RESIDENTIAL DEVELOPMENT, SEAMOUNT, MALAHIDE, CO DUBLIN
TITLE	PRIVATE FOUL WATER DRAINAGE DETAILS

DRAWN	DESIGNED	APPROVED	DATE
PW	BW	IW	JUNE '19
SCALE	JOB NO.	DRG. NO.	REVISION
1:25 @ A1	18-001	P325	A