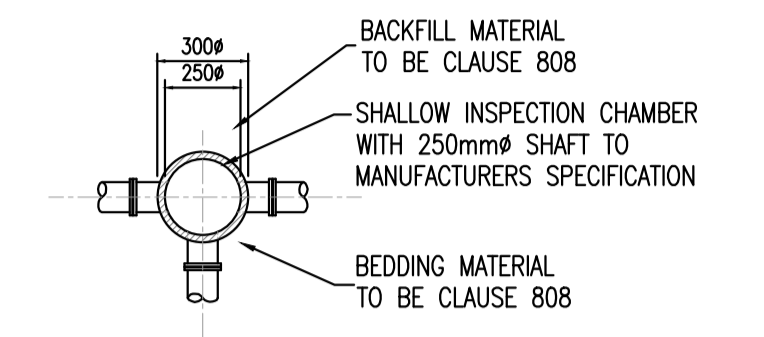
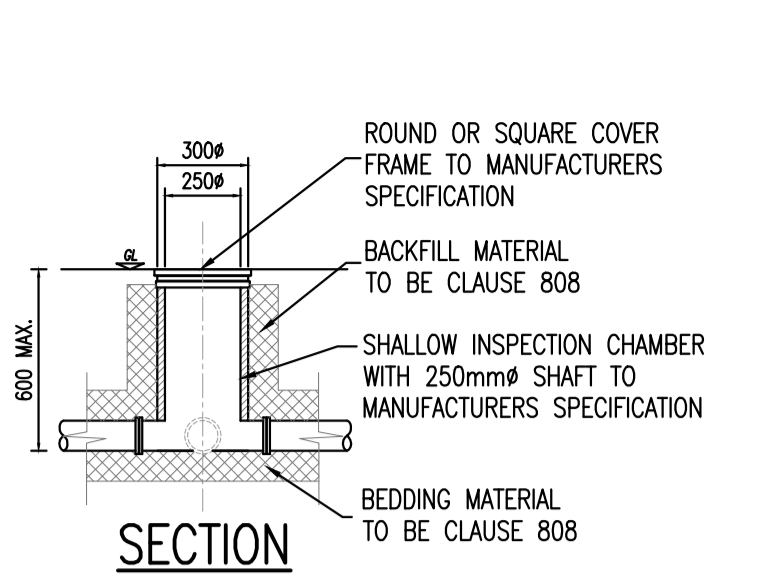
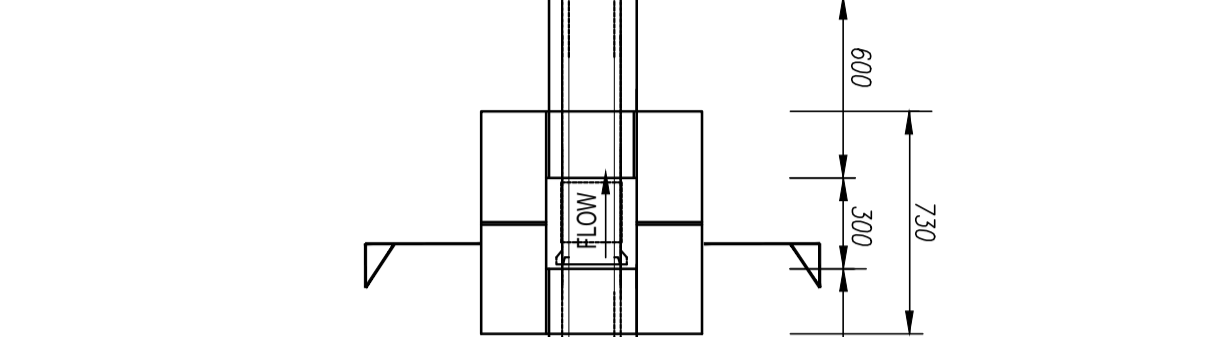
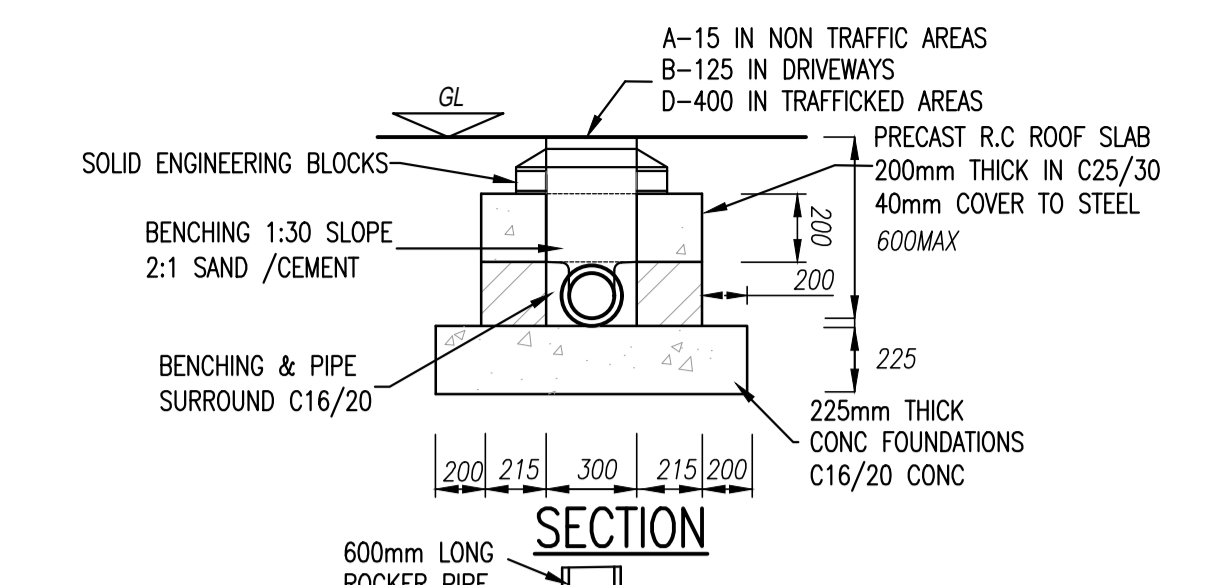


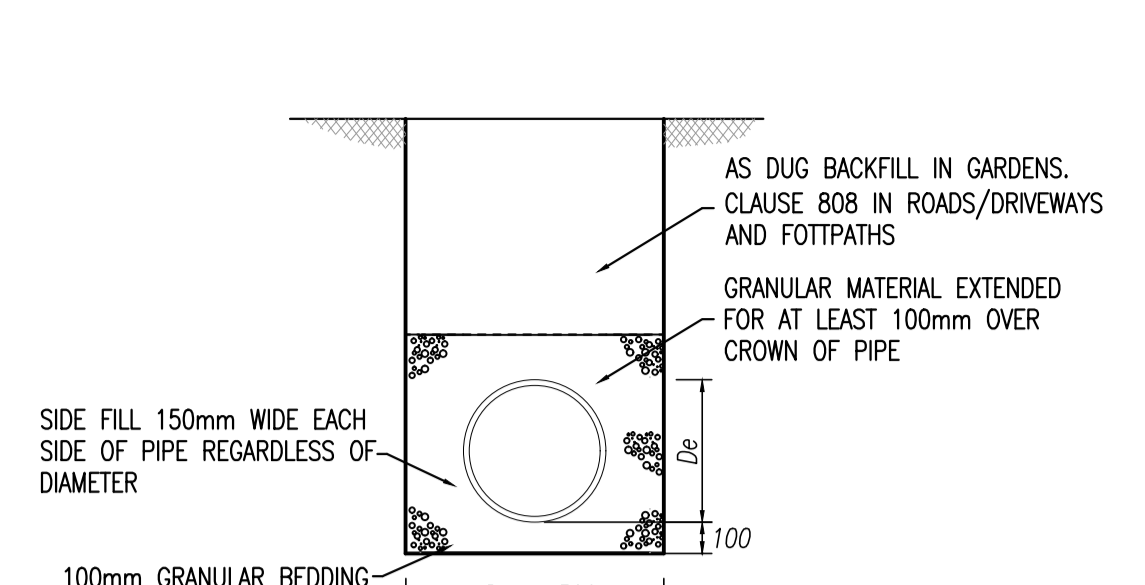
- NOTES:
- DO NOT SCALE. USE FIGURED DIMENSIONS ONLY.
 - THIS DRAWING IS TO BE READ IN CONJUNCTION WITH ALL OTHER RELEVANT ARCHITECTURAL AND ENGINEERING DRAWINGS.
 - ALL WORKS TO BE CARRIED OUT IN ACCORDANCE WITH THE REQUIREMENTS OF THE BUILDING REGULATIONS 2010 SECTION H "DRAINAGE AND WASTE WATER DISPOSAL" AND WITH LOCAL AUTHORITY REQUIREMENTS
 - ANY ALTERNATIVE DETAILS PROPOSED BY THE CONTRACTOR SHALL BE SUBMITTED TO THE ENGINEER AT LEAST 2 WEEKS PRIOR TO THE CONSTRUCTION OF THE DRAIN
 - MINIMUM SPACING OF ACCESS POINTS TO BE IN ACCORDANCE WITH BUILDING REGULATIONS TECHNICAL GUIDANCE DOCUMENT SECTION 4 TABLE 10
 - DETAILS OF MATERIALS FOR CONSTRUCTION REFER TO BUILDING REGULATIONS TECHNICAL GUIDANCE DOCUMENT SECTION 4 TABLE 11
 - BACKFILL OF ALL INSPECTION CHAMBERS TO BE 808 BACKFILL IN 200mm LAYERS
 - INSTALLATION OF PLASTIC PIPES AND FITTINGS, GULLIES, AJ'S ETC TO BE STRICTLY IN ACCORDANCE WITH MANUFACTURERS INSTRUCTIONS



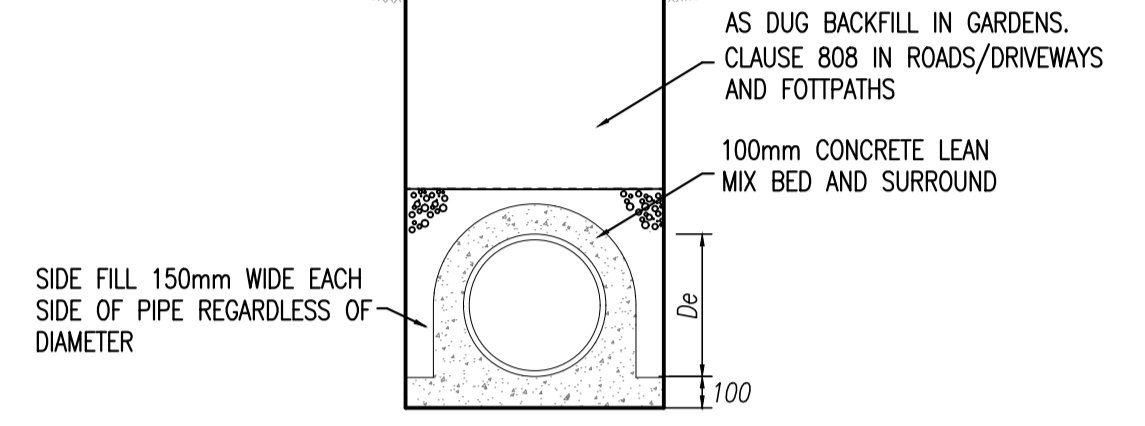
CIRCULAR INSPECTION CHAMBER WHERE INVERT IS 0.6m OR LESS BUILDING REGULATIONS TGD SECTION H TABLE 9
SCALE 1:25



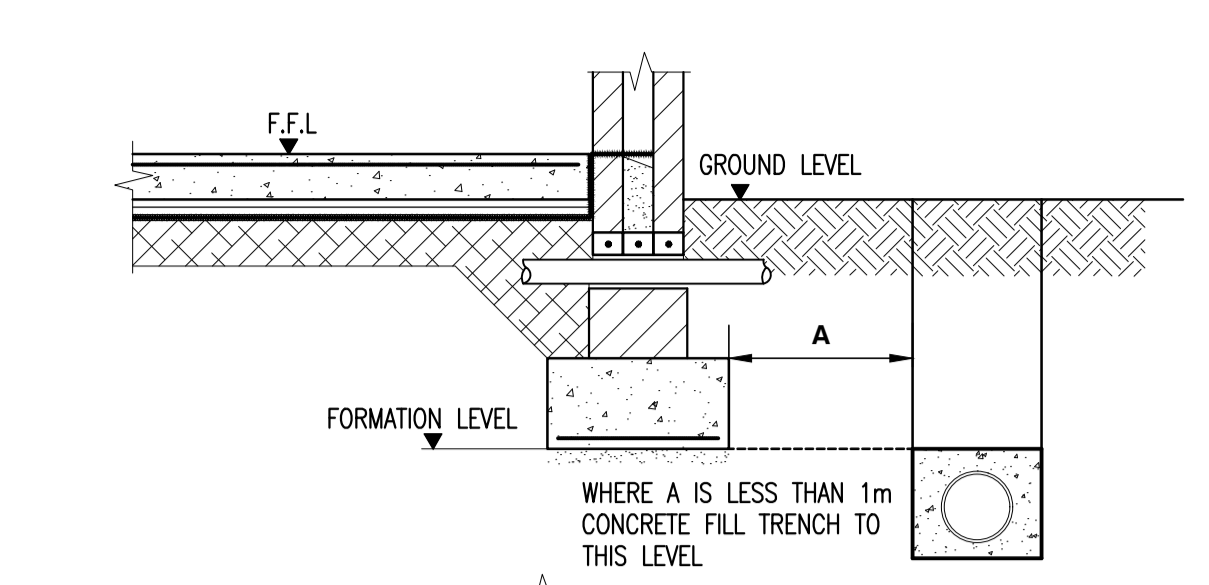
INSPECTION CHAMBER WHERE INVERT IS 0.6m OR LESS BUILDING REGULATIONS TGD SECTION H TABLE 9
SCALE 1:25



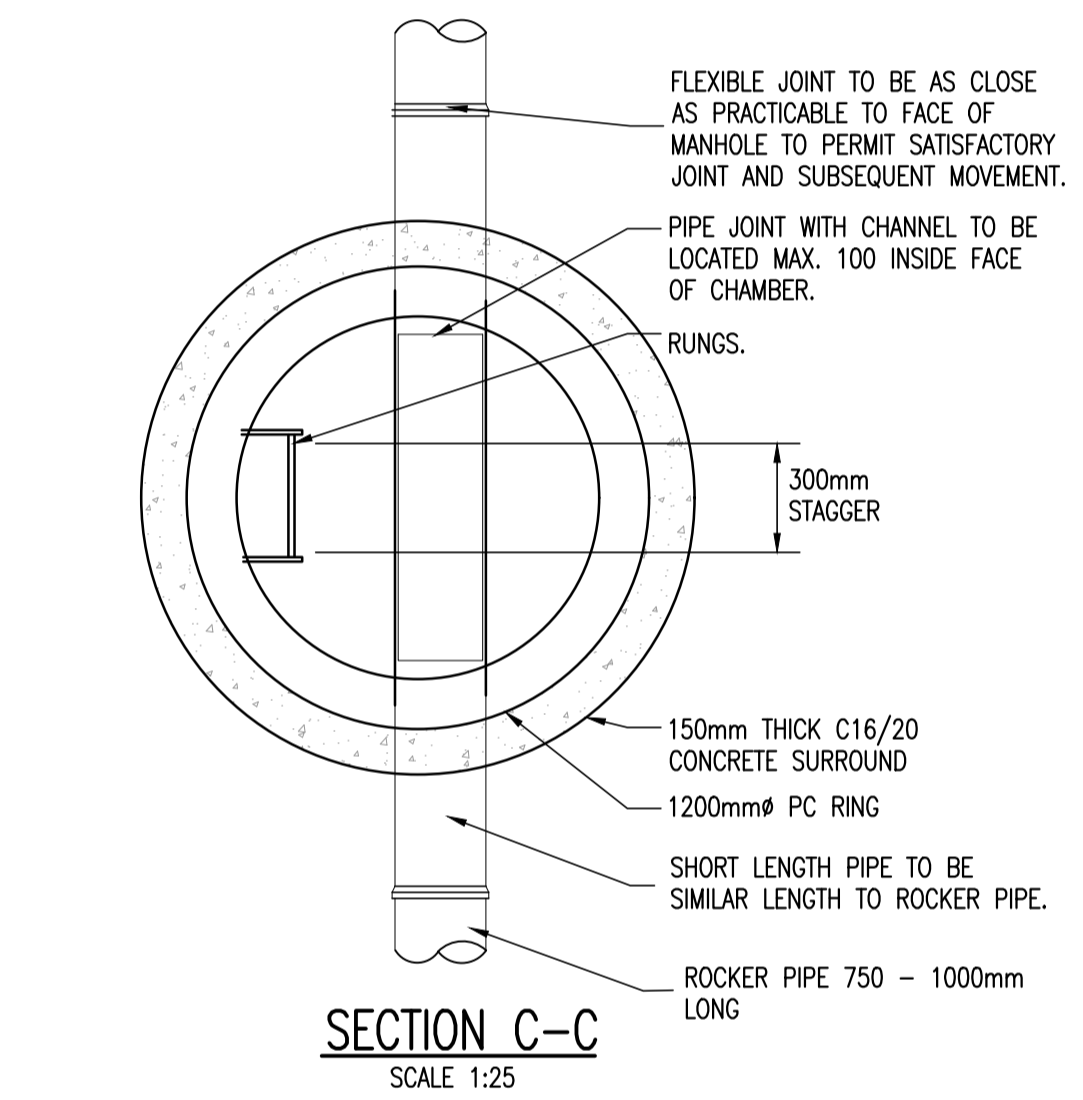
PIPES BEDDED IN GRANULAR MATERIAL COVER > 0.9m IN ROADS COVER > 0.6m IN GARDENS
SCALE 1:25



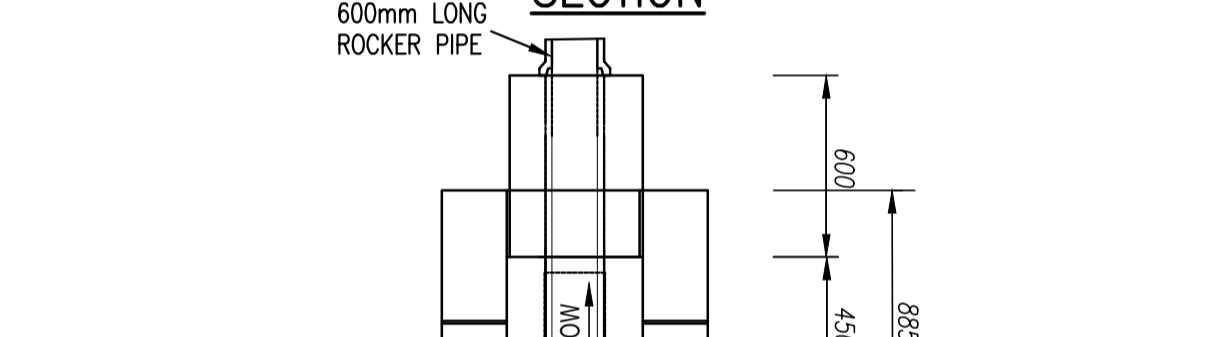
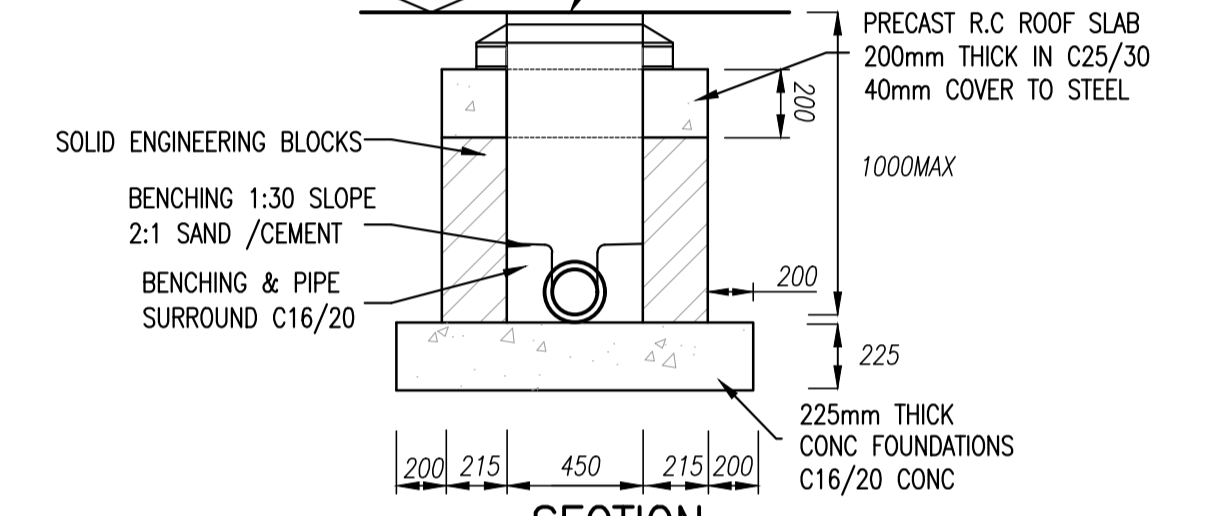
PIPES BEDDED IN GRANULAR MATERIAL COVER < 0.9m IN ROADS COVER < 0.6m IN GARDENS
SCALE 1:25



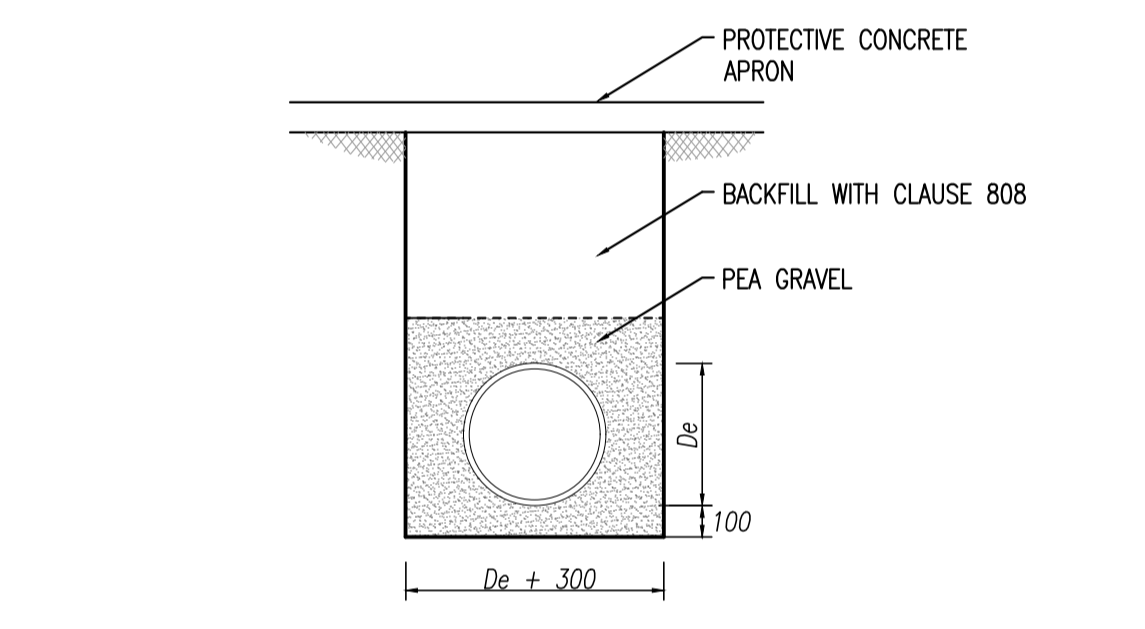
TYPICAL DETAIL WHERE PIPE RUNS NEAR BUILDINGS
SCALE 1:25



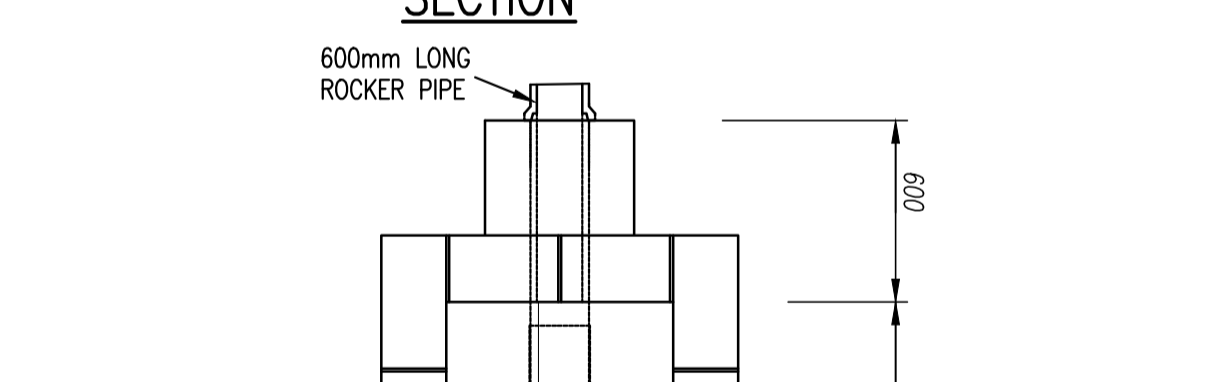
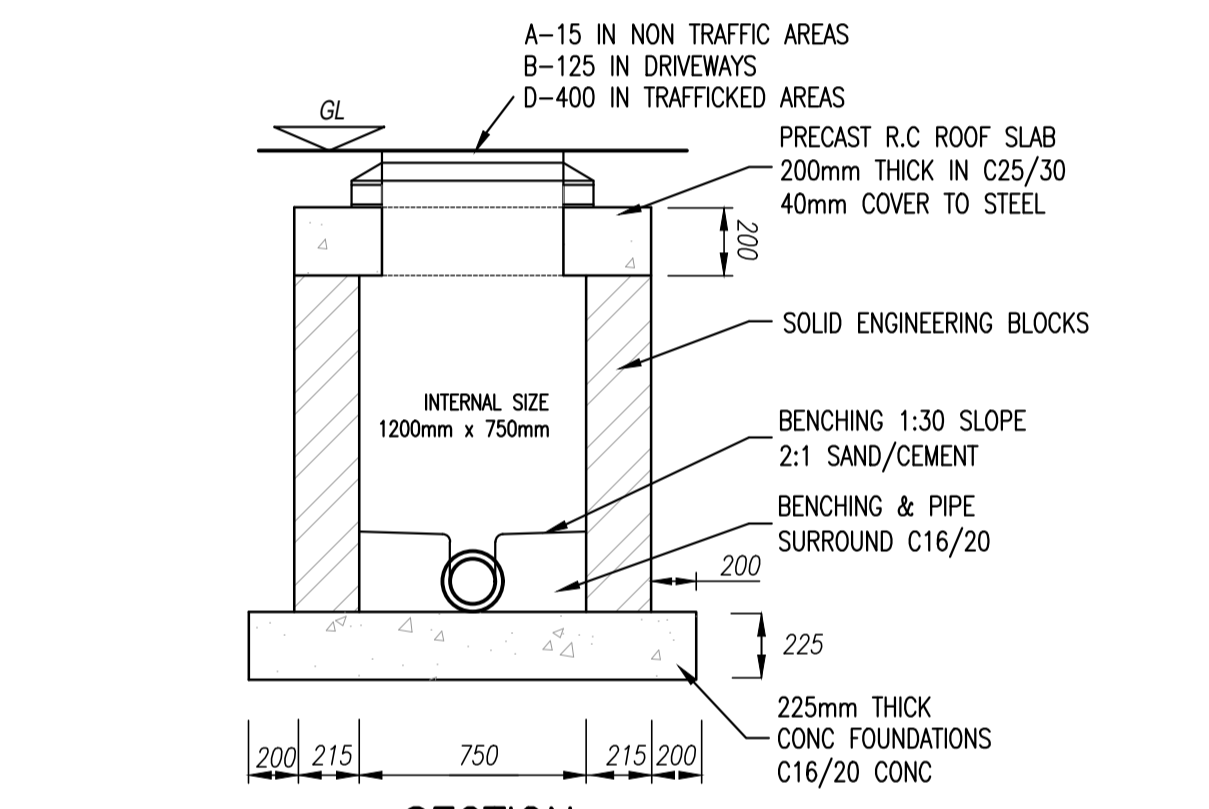
CIRCULAR INSPECTION CHAMBER WHERE INVERT IS BETWEEN 1m AND 2.7m BUILDING REGULATIONS TGD SECTION H TABLE 9
SCALE 1:25



INSPECTION CHAMBER WHERE INVERT IS 1m OR LESS BUILDING REGULATIONS TGD SECTION H TABLE 9
SCALE 1:25



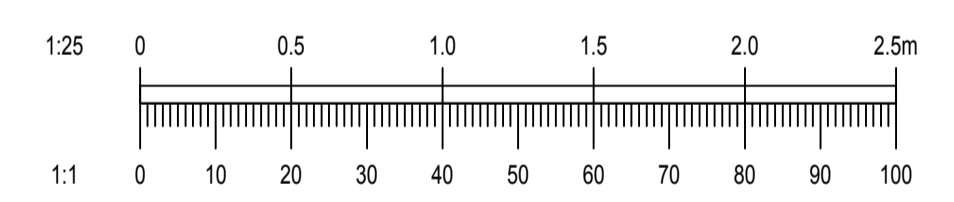
PIPES BEDDING ALTERNATIVE DETAIL COVER < 0.9m IN ROADS COVER < 0.6m IN GARDENS
SCALE 1:25



INSPECTION CHAMBER DEPTH TO INVERT IS BETWEEN 1m AND 2.7m BUILDING REGULATIONS TGD SECTION H TABLE 9
SCALE 1:25

Type	Depth to (m)	Internal Sizes		Cover Sizes	
		length x width (mm x mm)	Circular (mm)	length x width (mm x mm)	Circular (mm)
Rodding eye					
Access Fitting					
small	0.6 or less	150 x 100	150	150 x 100	150
large		300 x 100	-	300 x 100	-
Inspection Chamber	0.6 or less	300 x 300	190*	300 x 300	190*
	1.0 or less	450 x 450	450	450 x 450	450**
Manhole	1.5 or less	1200 x 750	1000	600 x 600	600
	over 1.5	1200 x 750	1200	600 x 600	600
	over 2.7	1200 x 840	1200	600 x 600	600
Shaft	over 2.7	900 x 840	900	600 x 600	600

Note:
* For clayware or plastics may be reduced to 430mm in order to provide support for cover and frame
** Drains up to 150mm



A	07/11/19	FINAL SHD SUBMISSION	PW	AK
REV.	DATE	AMENDMENT	DRN	APPD

STATUS **FOR PLANNING NOT FOR CONSTRUCTION**

Waterman Moylan
Engineering Consultants

BLOCK 9, EASTPOINT BUSINESS PARK, ALFIE BYRNE ROAD, DUBLIN D03 H3F4 IRELAND. Tel: (01) 664 8900
Email: info@waterman-moylan.ie www.waterman-moylan.ie

CLIENT **BALLYMORE PROPERTY DEVELOPMENTS LTD**

ARCHITECT **REDDY ARCHITECTURE**

PROJECT **RESIDENTIAL DEVELOPMENT, SEAMOUNT, MALAHIDE, CO DUBLIN**

TITLE **PRIVATE SURFACE WATER DRAINAGE DETAILS**

DRAWN	DESIGNED	APPROVED	DATE
PW	BW	IW	JUNE '19
SCALE	JOB NO.	DRG. NO.	REVISION
1:25 @ A1	18-001	P323	A