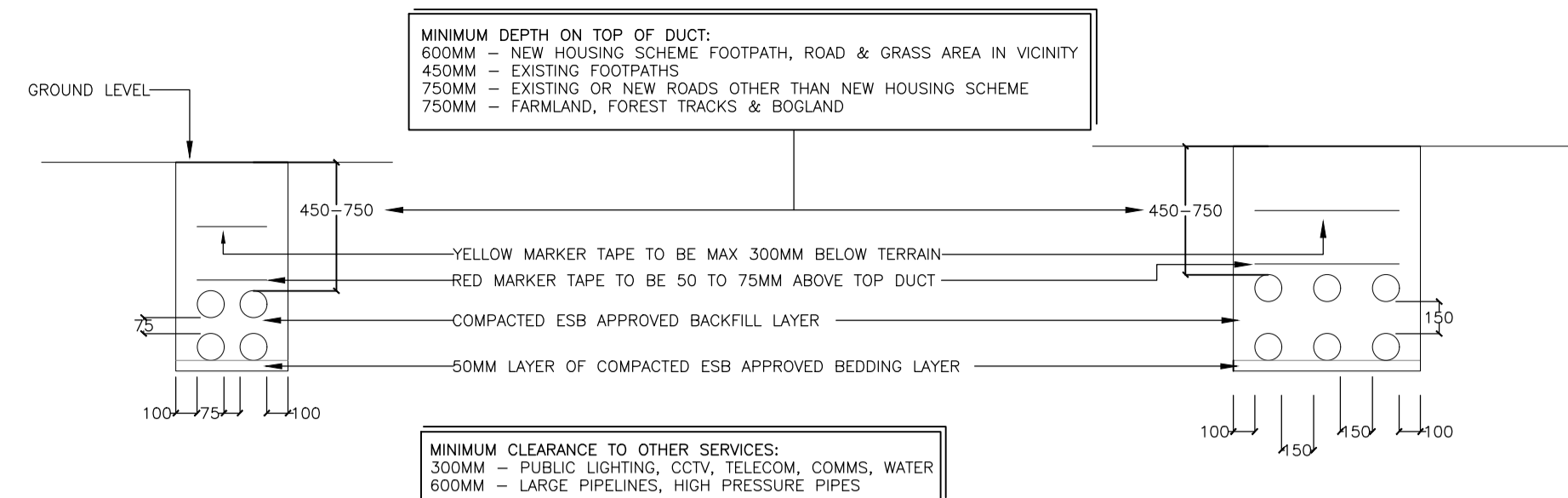
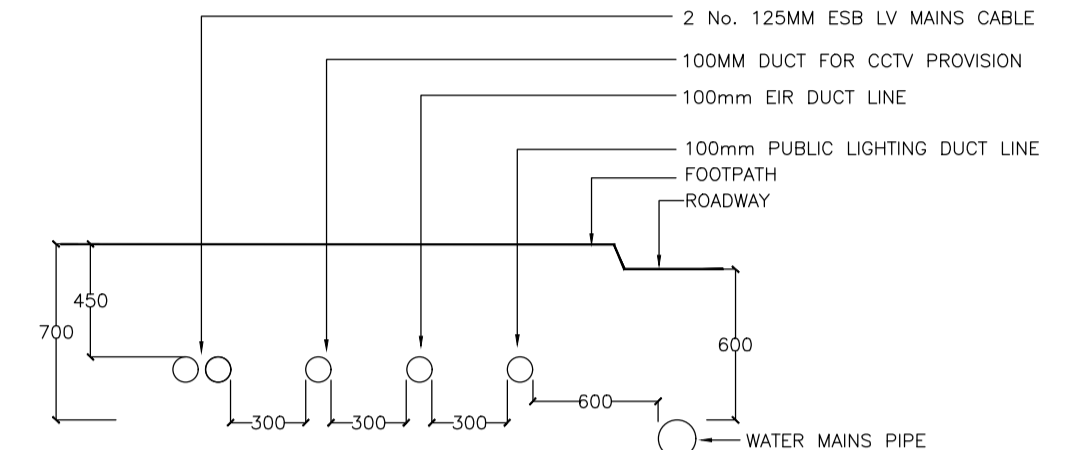


MV/LV TRENCH DIMENSIONS AND DUCT CLEARANCES AS REQUIRED BY ESB



DETAIL 1
MINIMUM ESB SPACING REQUIREMENTS FOR UP TO 2 NO. ESB DUCTS IN ANY LAYER

DETAIL 2
MINIMUM ESB SPACING REQUIREMENTS FOR MORE 2 NO. ESB DUCTS IN ANY LAYER



DETAIL 3
CROSS SECTION OF STANDARD FOOTPATH INDICATING REQUIRED TRENCH DEPTH & UTILITY DUCTS SPACING REQUIREMENTS. MARKER TAPES TO BE LAID FOR EACH DUCT AT MINIMUM DEPTH OF 300MM

GENERAL NOTES

ANY DISCREPANCIES OR OMISSIONS TO BE REPORTED TO JAK CONSULTING ENGINEERS IMMEDIATELY.

DO NOT SCALE - WORK FROM FIGURED DIMENSIONS ONLY.

THIS DRAWING IS TO BE READ IN CONJUNCTION WITH ALL CIVIL ENGINEERS, STRUCTURAL ENGINEERS, ARCHITECTS & ALL OTHER RELEVANT DRAWINGS & SPECIFICATIONS RELATING TO THE PROJECT.

ALL DIMENSIONS TO BE CONFIRMED ON SITE.

THIS DRAWING IS THE PROPERTY OF JAK CONSULTING ENGINEERS AND IT OR ITS CONTENTS CANNOT BE COPIED, REPRODUCED OR OTHERWISE USED WITHOUT THE PERMISSION & CONSENT OF JAK CONSULTING ENGINEERS. ©

LEGEND

--- PROPOSED ROUTE OF 2 NO. 100mm COMMS DUCT FOR PROVISION OF TELECOMS & MEDIA

⊠ PROVIDER APPROVED JUNCTION BOX JB4 FOR COMMS SERVICES

REV	Description	DRN	APP	Date
I3	INFORMATION	NM	MO	01-11-2019
I2	INFORMATION	NM	MO	29-10-2019
I1	INFORMATION	NM	MO	21-10-2019

JAK
Consulting Engineers

Mechanical, Electrical & Sustainability Consultants
DCC Centre,
12 Camden Row, Dublin 8, Ireland

Ph: +353(1)479 0500
E: info@jak.ie
www.jak.ie

PROJECT CLIENT:
SEAMOUNT DEVELOPMENT MALAHIDE BALLYMORE

ARCHITECT:
REDDY ARCHITECTS

DRAWING TITLE:
EIR SERVICE LAYOUT SITE PLAN

DRAWING REFERENCE: J546(6)-J03
DRAWING/PROJECT STATUS: INFORMATION
REVISION REF: I3

FILENAME: J546(6)-J03 DWG
DATE: 03/07/19
DRAWN: NM
SCALE @ A1: 1/500