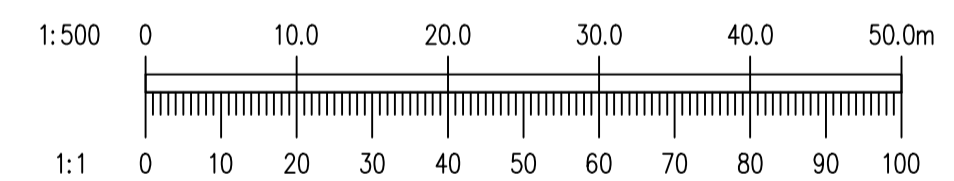
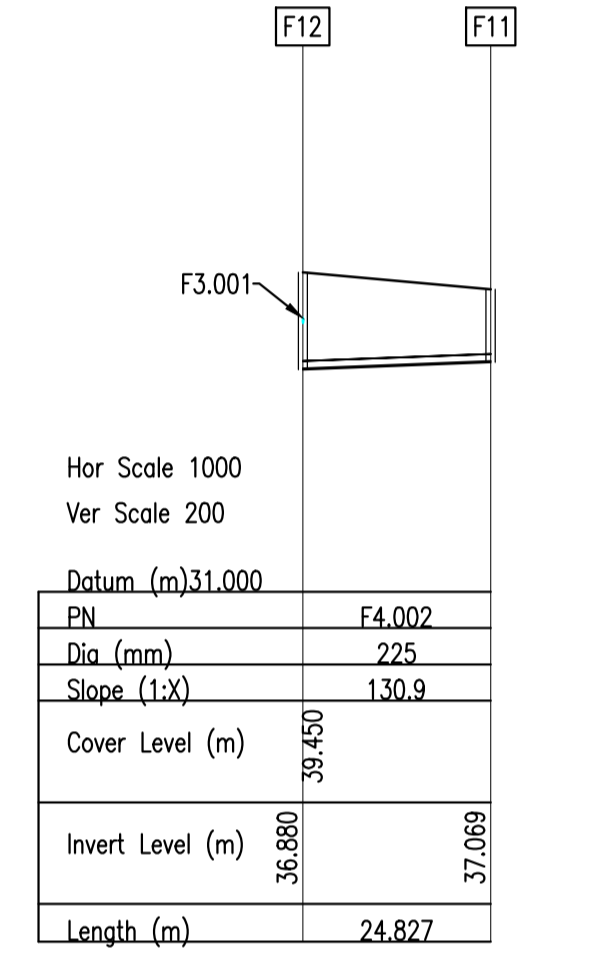
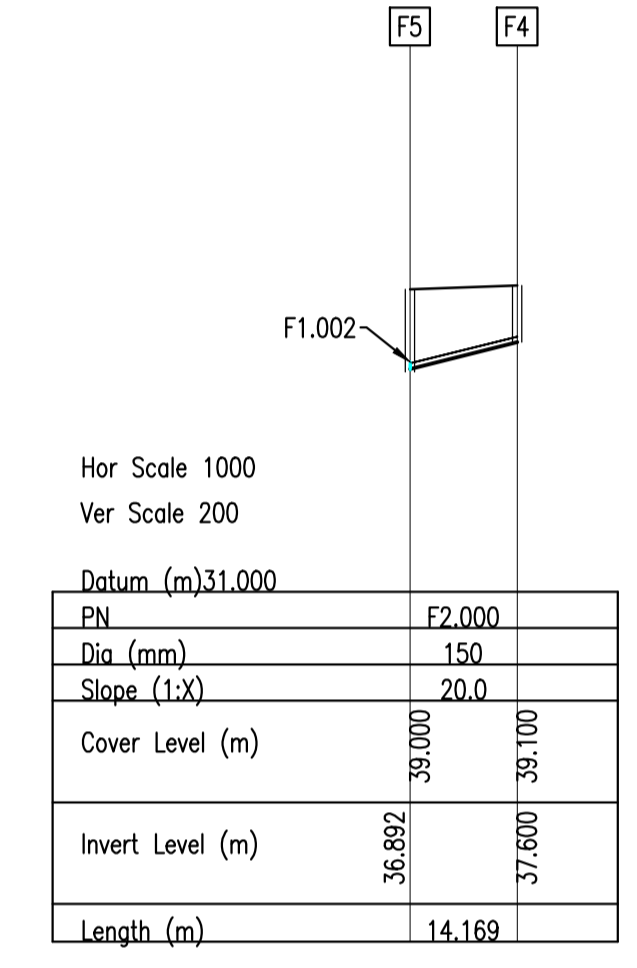
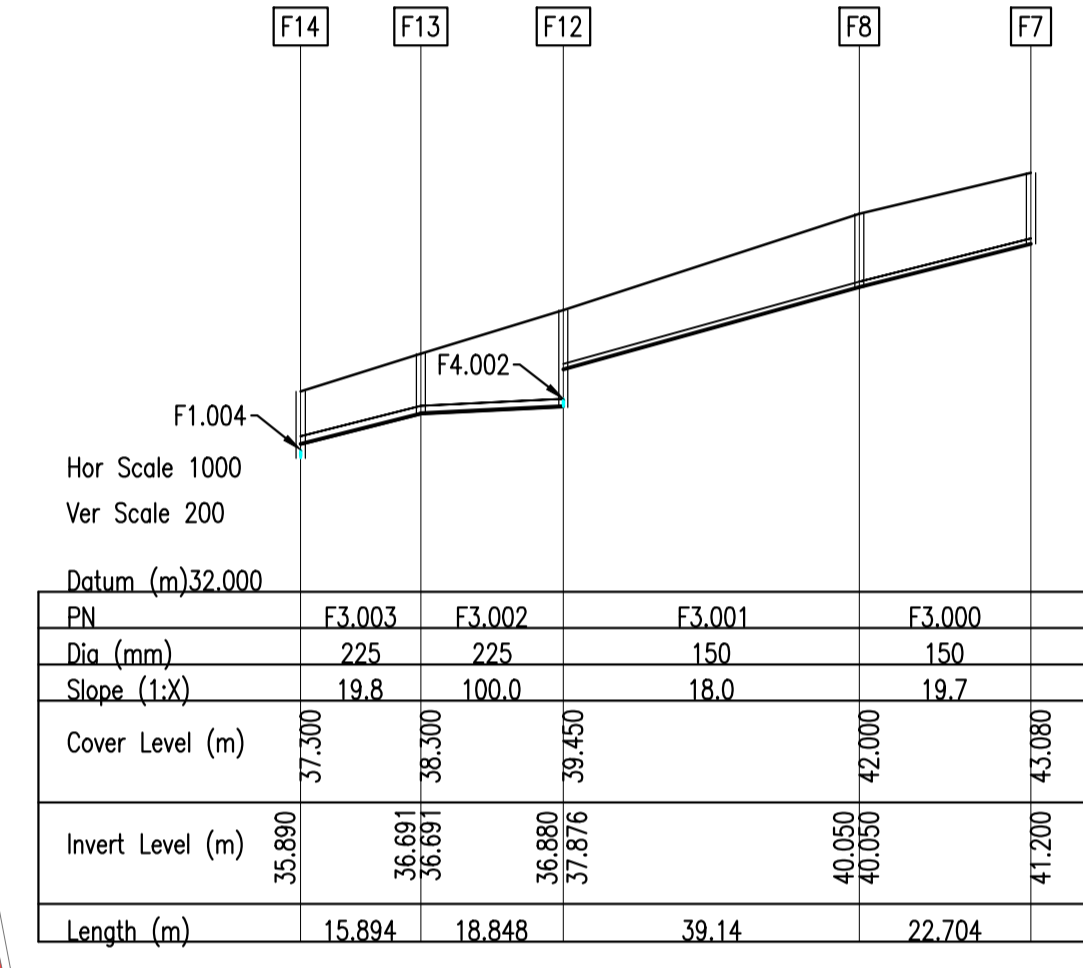
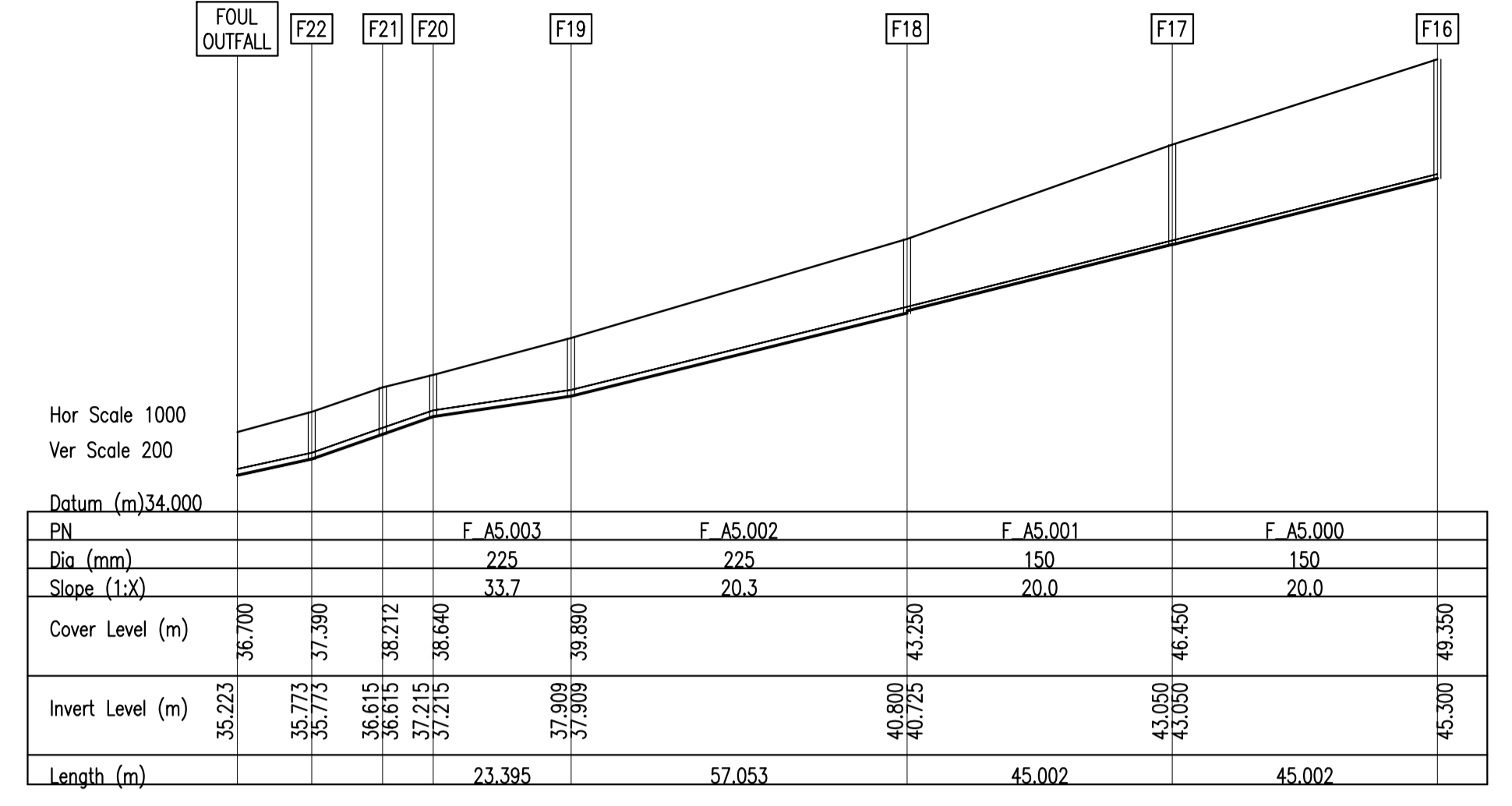
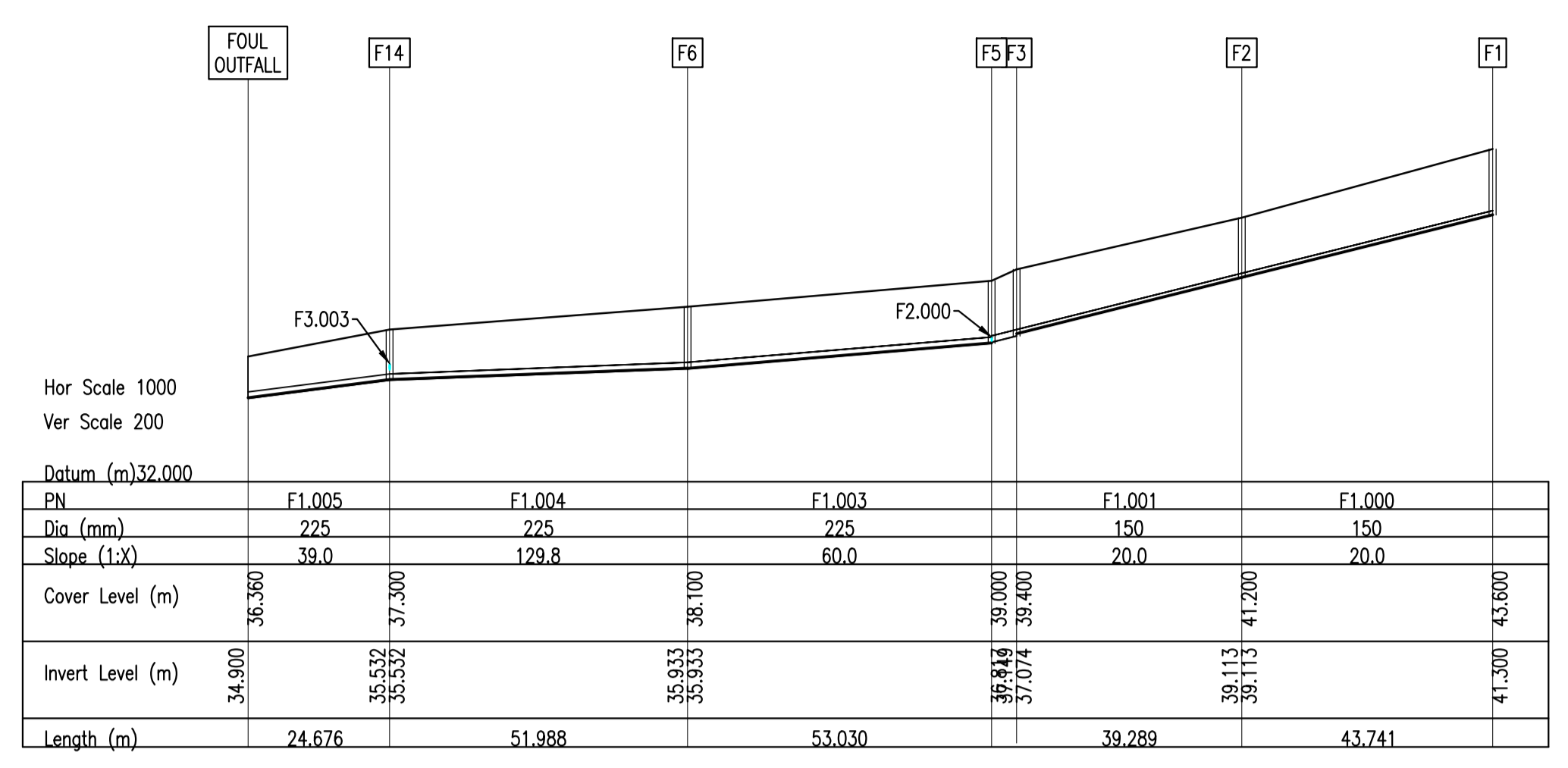


- NOTES:
- DO NOT SCALE. USE FIGURED DIMENSIONS ONLY.
 - THIS DRAWING IS TO BE READ IN CONJUNCTION WITH ALL OTHER RELEVANT ARCHITECTURAL AND ENGINEERING DRAWINGS.



REV.	DATE	AMENDMENT	DRN	APPD

STATUS **FOR PLANNING
NOT FOR CONSTRUCTION**

Waterman Moylan
Engineering Consultants
BLOCK 5, EASTPOINT BUSINESS PARK, ALFIE BYRNE ROAD,
DUBLIN D03 H3F4 IRELAND. Tel: (01) 664 8900
Email: info@waterman-moylan.ie www.waterman-moylan.ie

CLIENT **BALLYMORE PROPERTY DEVELOPMENTS LTD**
ARCHITECT **REDDY ARCHITECTURE**

PROJECT
**RESIDENTIAL DEVELOPMENT,
SEAMOUNT, MALAHIDE, CO DUBLIN**

TITLE
FOUL DRAINAGE LONGITUDINAL SECTIONS

DRAWN PW	DESIGNED AK	APPROVED IW	DATE SEP. '19
SCALE AS SHOWN@1	JOB NO. 18-001	DRG. NO. P360	REVISION

LEGEND:

- EXISTING FOUL SEWER & MANHOLE
- EXISTING SURFACE WATER SEWER & MANHOLE
- PROPOSED FOUL WATER SEWER
- PROPOSED SURFACE WATER SEWER

© 2017. This drawing is copyright. No part of this document may be reproduced or transmitted in any form or stored in any retrieval system of any nature without the written permission of the consulting engineer in copyright. Issued except as agreed for use on the project for which the document was originally issued.